

BH-400 Series PV DC Isolation Switch



IEC/EN 60947-3
GB/T 14048. 3

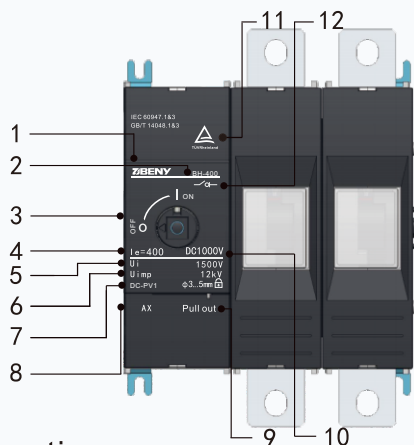
- 1 Brand
- 2 Model
- 3 On Off
- 4 Rated Current
- 5 Nominal Insulation Voltage
- 6 Rated Withstand Voltage
- 7 Utilization Category
- 8 Auxiliary Contact
- 9 Lockable Handle
- 10 Rated Voltage
- 11 Certificate Mark
- 12 Electrical Symbol

Application

ZIBENY BH-400 DC disconnect switch is designed and developed for solar PV inverter, combiner box or any DC equipments build-in according to IEC60947-3. The DC load break switches provide safety isolation for one DC circuit up to 1500VDC 400A.

High capacity 10KA for 50ms test and patented DC arc extinguishing chamber ensure fast disconnection and reliable operation for longer working life.

Appearance Introduction



Type Instruction

BH	-	400	-	2P	-	400A	-	A	-	AX
↓		↓		↓		↓		↓		↓
Model		Max Current		Pole		Rated Current		Assembling way		Auxiliary contact
PV DC Isolation Switch		400A		2P		<input type="checkbox"/> 320A <input type="checkbox"/> 400A		<input type="checkbox"/> Blank <input type="checkbox"/> A <input type="checkbox"/> B <input type="checkbox"/> A1		<input type="checkbox"/> without <input type="checkbox"/> with

Parameter

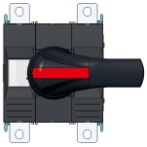
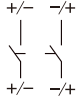
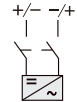
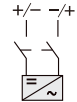
Electrical Characteristics

Rated Working Voltage	Ue	1000V \ 1500V
Rated Current	Ie	320A\400A
Rated impulse withstand voltage	Uimp	12kV
Rated short-time withstand current (1s)	Icw	10kA
Rated short-circuit making capacity	Icm	10kA
Rated conditional short-circuit current(kA)		10kA

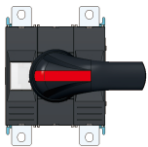
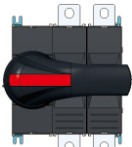
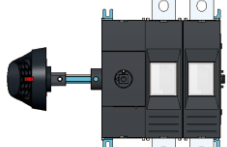
Installation Environment

Utilization category DC		DC-PV1
Number of cycles of operation(With current)		200
Number of cycles of operation(Without current)		5000
Pole		2
Mounting		Base Screws Mounting
Screws for mounting(M5)		2.0~3.0N.m
Wiring Screw(M10)		acc.IEC 60947-1 15N.m
Ambient temperature allowed between		-40°C ~ +85°C
Storage temperature allowed between		-40°C ~ +85°C
Relative Humidity		90%
Pollution degree		3
IP rating terminals		IP20
Outside the ark handle		IP66

Wiring Graph

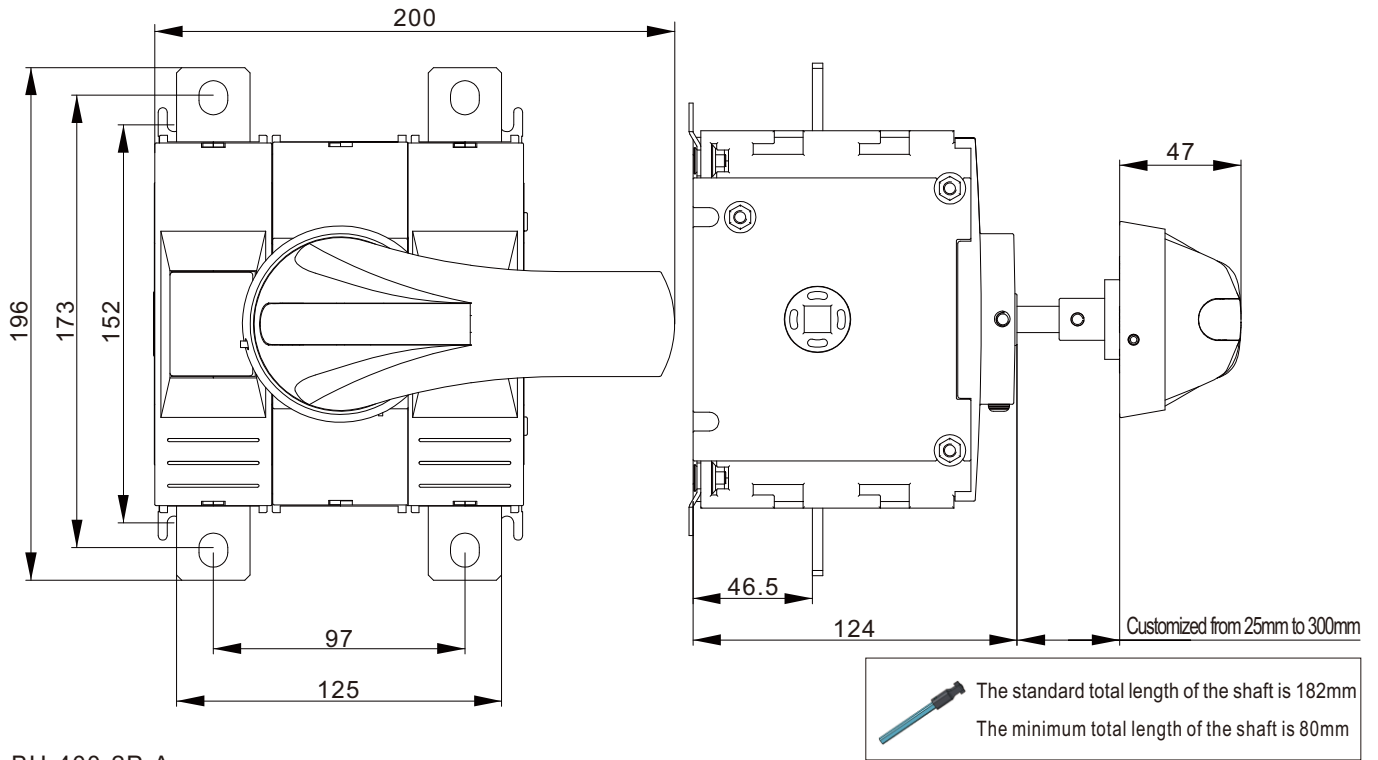
Model	Wiring Graph	Ue rated operational voltage DC Volts	Rated operational current	Poles in series	Number of Strings
BH-400-2P 		1000V、1500V	320A、400A	2	1
	Example 				
					

Product Selection

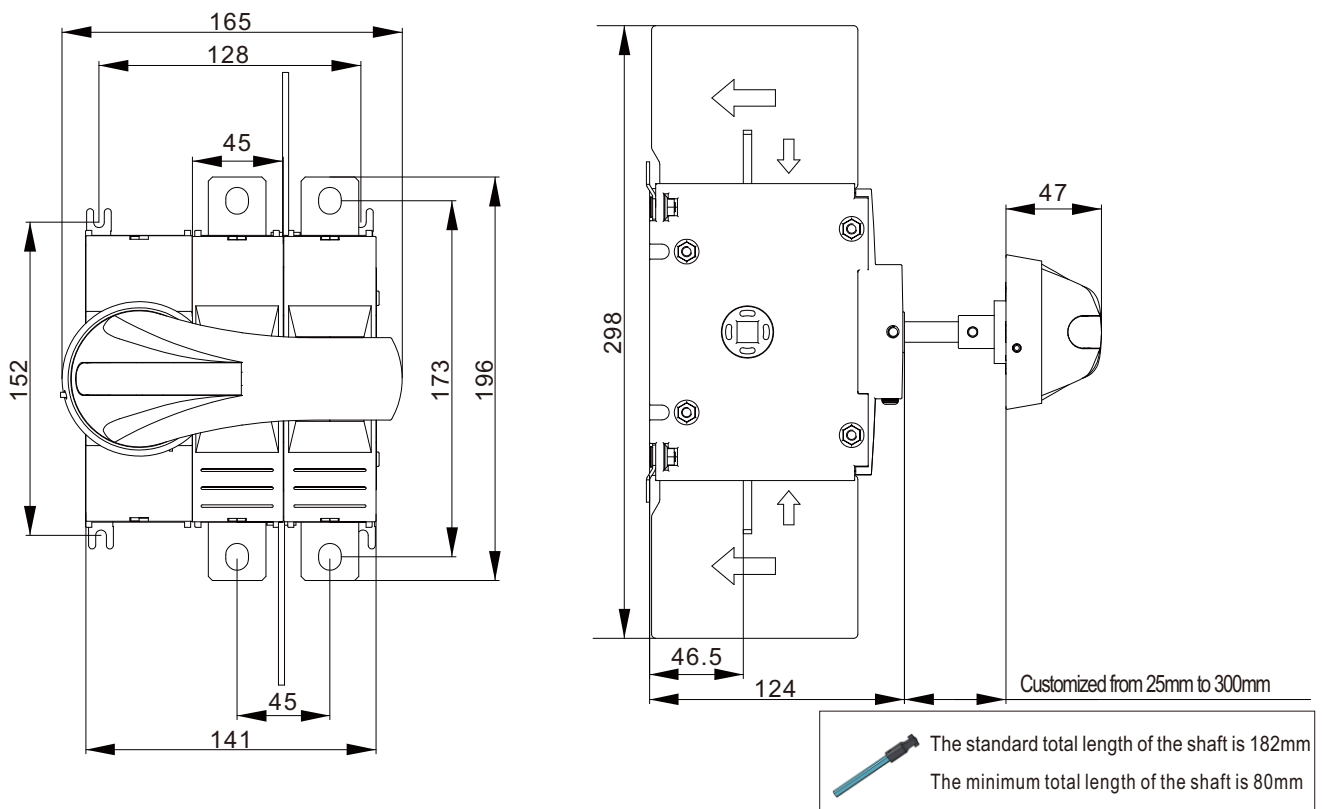
Model	Front Operation			The side operation
	BH-400-2P	BH-400-2P-A	BH-400-2P-B	BH-400-2P-A1
BH-400-2P				

Dimension (mm)

BH-400-2P

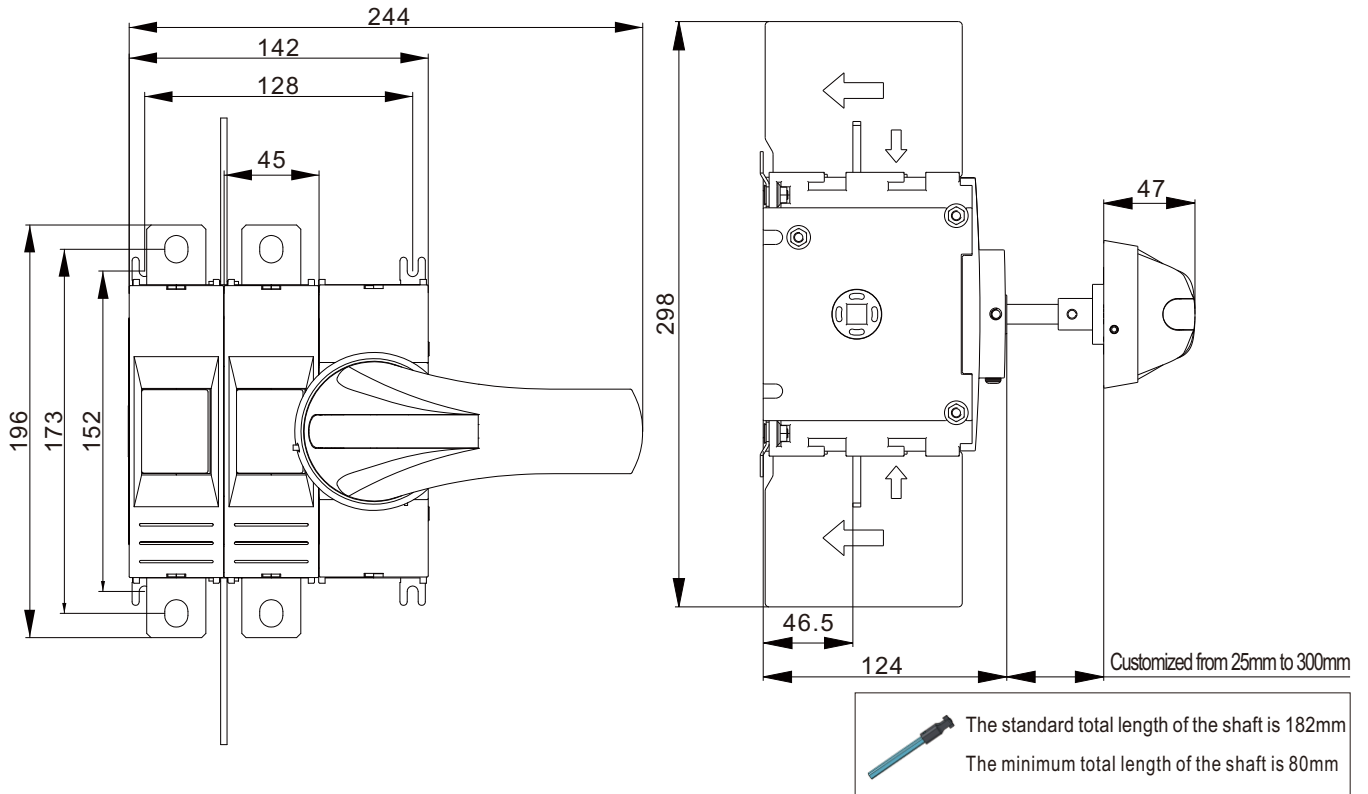


BH-400-2P-A

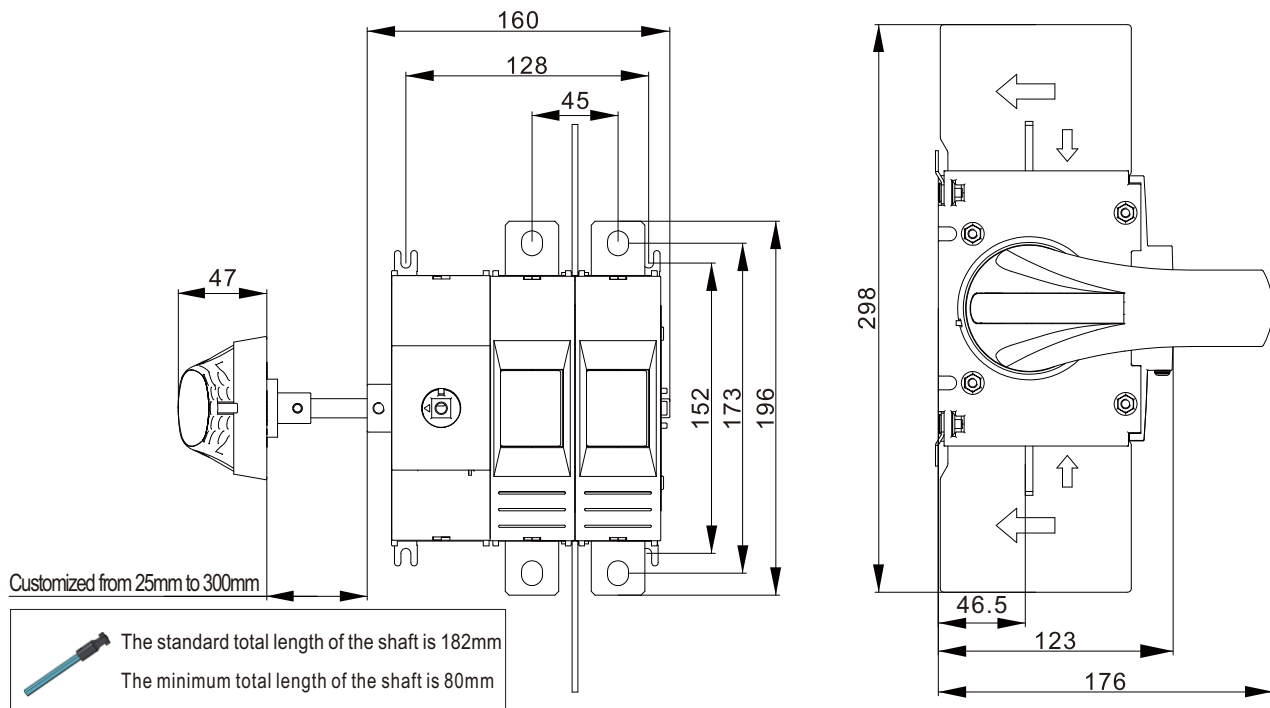


Dimension (mm)

BH-400-2P-B

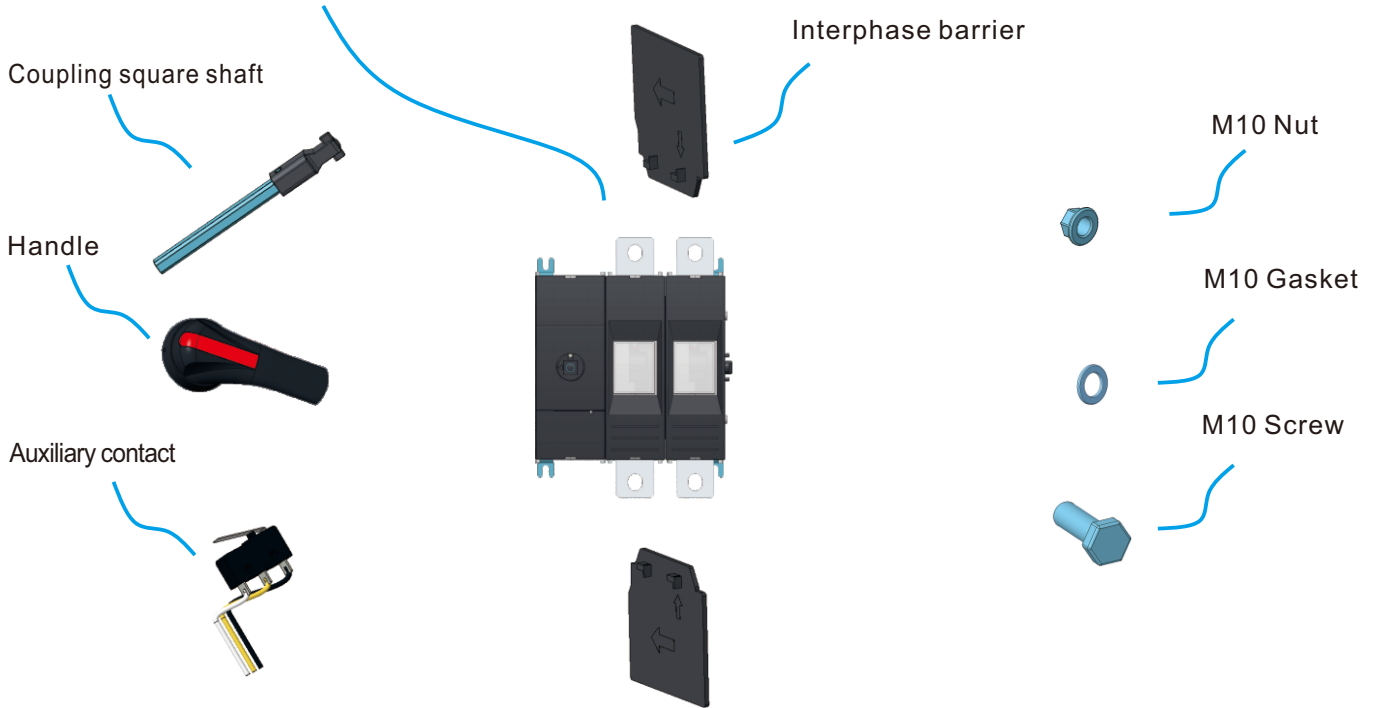


BH-400-2P-A1



Switches and accessories

Front and side operable products



Accessory

Name	The attachment list
standard configuration	<input checked="" type="checkbox"/> Handle
	<input checked="" type="checkbox"/> Coupling square shaft (The standard length is 182mm)
	<input checked="" type="checkbox"/> Interphase barrier
	<input checked="" type="checkbox"/> M10 Binding kits <input checked="" type="checkbox"/> Specification
apolegamy	<input type="checkbox"/> Auxiliary contact
	<input type="checkbox"/> Coupling square shaft Custom length _____ mm

Derating data

Derating Temperature

Type	Tem	-40°C ~ +55°C	+60°C	+65°C	+70°C	+75°C	+80°C
BH-400	Current	400A	392A	380A	368A	360A	352A

Derating Altitude

Altitude	2000m	3000m	4000m	5000m
Power frequency withstand voltage	3820VDC	3820VDC	3820VDC	3820VDC
Isolation voltage	1500VDC	1500VDC	1500VDC	1500VDC
Working current	400A	400A	380A	368A
Working voltage	N/A			

Installation and use

The connecting conductor shall be copper conductor or equivalent copper row. The sectional area shall be selected according to the table

Rated current (A)	400A
The area of a wire or copper conductor mm ²	240mm ²

ZHEJIANG BENYI ELECTRICAL CO., LTD


Address: Wenzhou Bridge Industrial Zone,
Beibaixiang Town, Zhejiang China

TEL: +86-577-5717 7222


FAX: +86-577-5717 7007

Email: benyi@zjbeny.com

Http: // www.beny.com

 This catalogue has been printed on ecological paper.

 Zhejiang Benyi Electrical Co., Ltd. all rights reserved.

 If the models and specifications in this product catalogue is changed due to the change of products, we will not inform.



Scan it to **ZIBENY** website!